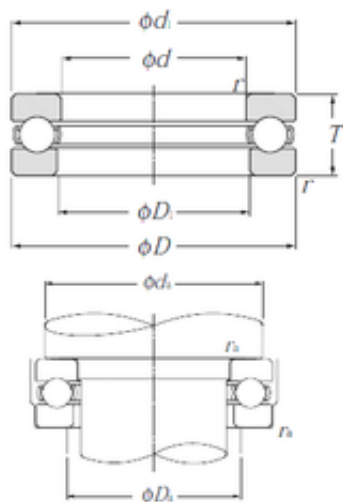




BEARING FORGE OF AMERICA CORP.



51252 NTN Thrust Spherical Roller Bearing

Bearing No. 51252

Size	260x360x79 mm
Bore Diameter	260 mm
Outer Diameter	360 mm
Width	79 mm
d	260 mm
D	360 mm
T	79 mm
d1	355 mm
r min.	2,1 mm
D1	264 mm
da min.	319 mm
Da max.	301 mm
ra max.	2 mm
Weight	24,2 Kg
Basic dynamic load rating (C)	440 kN
Basic static load rating (C0)	1 810 kN
(Grease) Lubrication Speed	530 r/min

51252 Bearing 2D drawings and 3D CAD models